



ED4L

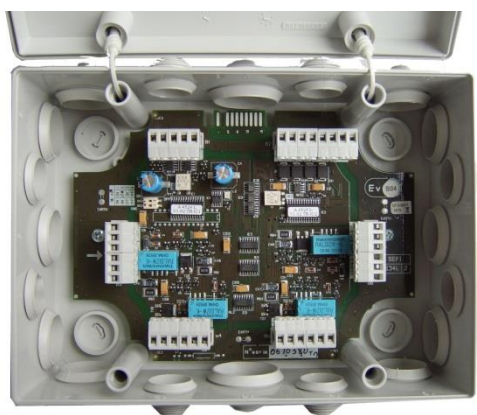
Addressable 4x2 monitored input +4 monitored outputs

- **ED4L: Addressable (4x2) monitored inputs + 4 monitored outputs**
- **CE certified to CPD**

ED4L is a monitored (4x2) inputs + 4 outputs module compatible with Héphaï's 1600 panel.

ED4L can read alarms, faults and any other fire detection informations by the means of specific input circuit **AND** can operate an external power supply source by the means of a commandable output.

The second input of the device (FC: end switch) can be used to monitor specific fire detection security systems (ex: door locks). The choice of the monitoring and the function of the input is done by downloading on the Fire detection panel.



Main characteristics

- 8 x Monitored inputs
- 1 x 4 **End switch** input
- 4 x 24V output
- 2 Connections external power supply
- Comply with the norm EN54-17
- CE certified according to CPD
- Embedded isolator

General specifications

Operating voltage (loop voltage)	14 to 28 Vdc
Quiescent current consumption on the loop (24 V)	540 µA
External Power supply voltage	14 to 60 Vdc
Quiescent current consumption on the External power supply	600 µA
Max. Current on output line	0,6 A
Weight	800gr
Dimensions	185 x 240 x 90 mm (WxLxD)
IP rating	IP55
Material	PVC
Colour	Grey RAL7035
Operating temperature	-20°C to + 40°C
Storage temperature	+5°C to +55°C
Relative humidity	≤ 93 % without condensation (operating) ≤ 85 % (storage)
Connections	Cable max. diameter 2,5mm ²

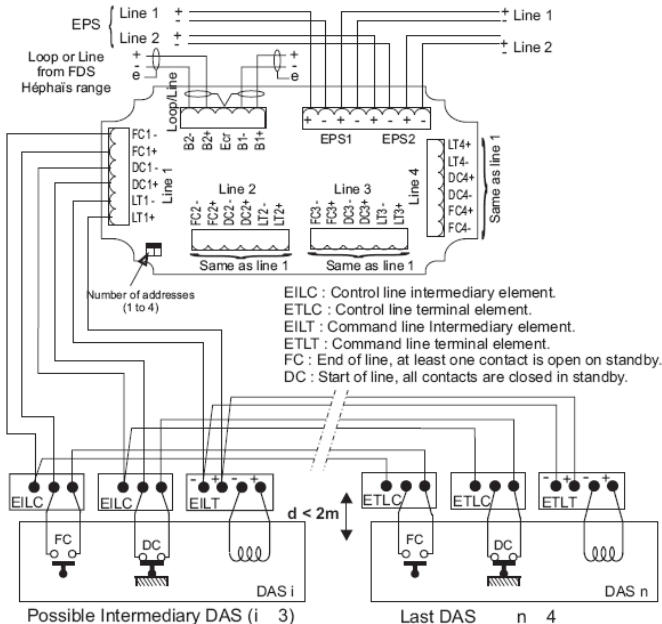


ED4L

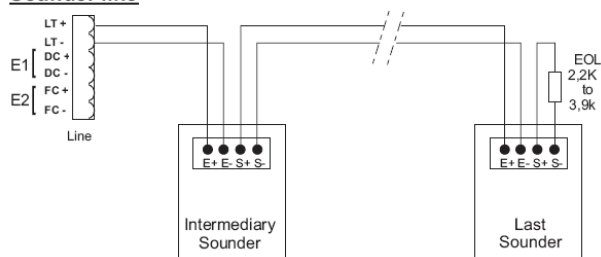
Addressable 4x2 monitored input +4 monitored outputs

INPUTS AND OUTPUT CONNECTION DIAGRAM

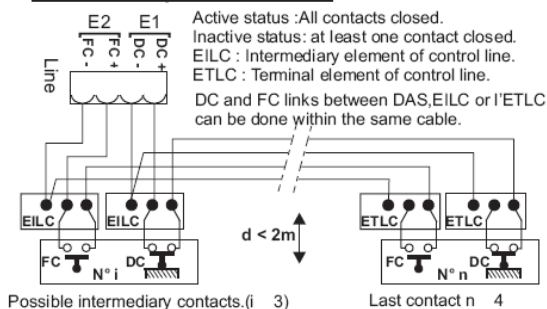
Monitored control lines serial mode



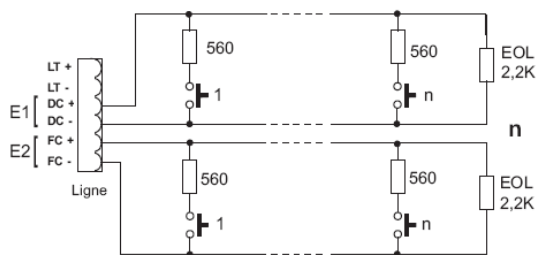
Sounder line



Monitored input serial mode.

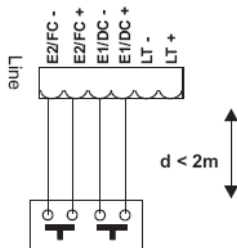


Monitored input parallel mode:



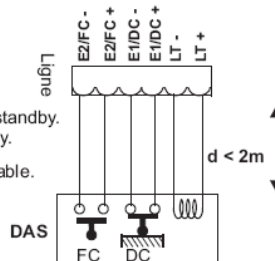
Not monitored inputs

Active status: Closed contact.
Inactive status: Open contact.



Command lines not monitored.

FC : End of line, at least one contact open on standby.
DC : Start of line, all contacts closed on standby.
Links DC and FC can be done on the same cable.



REFERENCE	DESCRIPTION
ED4L	Addressable 4 monitored inputs + 4 monitored outputs

